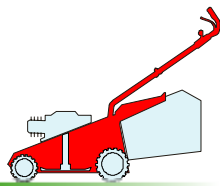
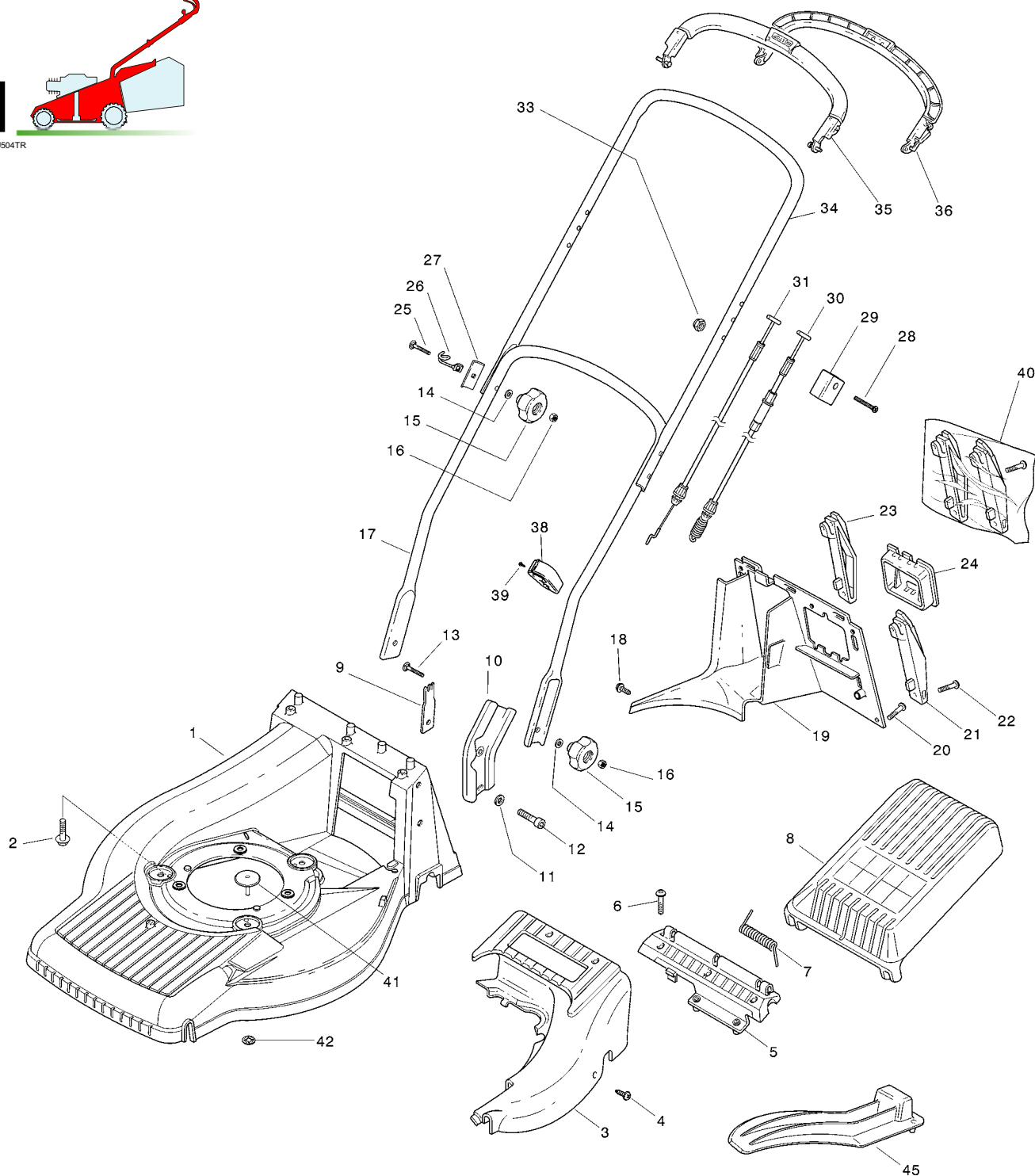




1



01D\_TU504TR



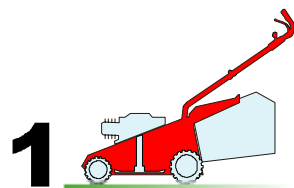
Pos.	Code	Q.ty	Descrizione	Description	Description	Beschreibung	Remarks
1	81002657/0	1	CHASSIS GIALLO	DECK YELLOW	CHÂSSIS JAUNE	GEHÄUSE GELB	(TU 504 TR/TU 504 TR-E)
-	81002660/0	1	CHASSIS GIALLO	DECK YELLOW	CHÂSSIS JAUNE	GEHÄUSE GELB	(TU 554 TR/TU 554 TR-E)
2	12735108/0	3	VITE	SCREW	VIS	SCHRAUBE	
3	22060152/0	1	CARTER	PROTECTION	PROTECTION	SCHUTZ	(TU 504 TR/TU 504 TR-E)
-	22060154/0	1	CARTER	PROTECTION	PROTECTION	SCHUTZ	(TU 554 TR/TU 554 TR-E)
4	12728300/0	3	VITE	SCREW	VIS	SCHRAUBE	
5	22785179/0	1	SUPPORTO	SUPPORT	SUPPORT	HALTER	
6	12735664/0	3	VITE	SCREW	VIS	SCHRAUBE	
7	22450430/0	1	MOLLA	SPRING	RESSORT	FEDER	
8	22600068/1	1	PARASASSI	STONE-GUARD	PARE-PIERRES	PRALLBLECH	



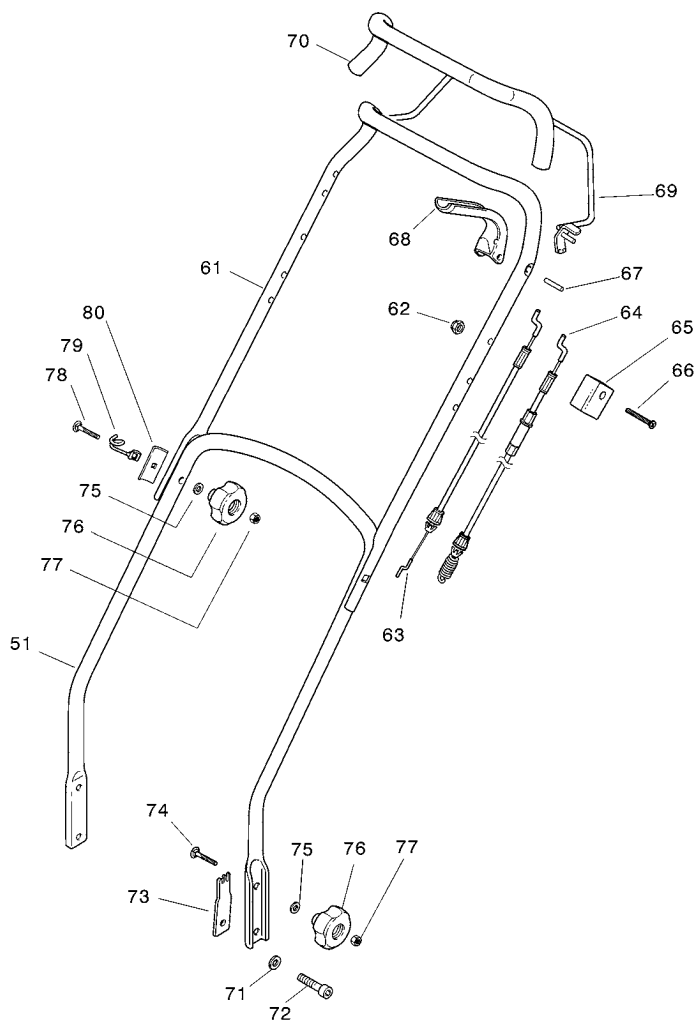
Pos.	Code	Q.ty	Descrizione	Description	Description	Beschreibung	Remarks
9	22551635/0	2	PIASTRINA FISSAGGIO MANICO	PLATE FOR HANDLE FASTENING	PLAQUETTE FIXAGE MANCHERON	PLATTE HOLMBEFESTIGUNG	
10	22778405/0	2	SUPPORTO	SUPPORT	SUPPORT	HALTER	
11	12521350/0	2	ROSETTA	WASHER	RONDELLE	SCHEIBE	
12	12760515/0	2	VITE	SCREW	VIS	SCHRAUBE	
13	12820655/0	2	VITE	SCREW	VIS	SCHRAUBE	
14	12521350/0	4	ROSETTA	WASHER	RONDELLE	SCHEIBE	
15	22399810/0	4	MANOPOLINA	KNOB	POIGNÉE	GRIFF	
16	12361005/0	4	DADO	NUT	ECROU	MUTTER	
17	81006613/0	1	MANICO INFERIORE	HANDLE, LOWER PART	MANCHERON INFÉRIEURE	HOLM, UNTERTEIL	
18	12728300/0	1	VITE	SCREW	VIS	SCHRAUBE	
19	22108277/0	1	CONVOGL. POSTERIORE	REAR CONVEYOR ASSY	ENS. CONVOYEUR POST.	HINTERLEITBLECHSATZ	
20	12735664/0	3	VITE	SCREW	VIS	SCHRAUBE	
21	22775180/0	1	STAFFA SX	BRACKET, L	BRIDE G	PRATZE, LINKE	
22	12728692/0	4	VITE	SCREW	VIS	SCHRAUBE	
23	22775181/0	1	STAFFA DX	BRACKET, R	BRIDE D	PRATZE, RECHTE	
24	22109531/0	1	COPERCHIO	COVER	COUVERCLE	DECKEL	
25	12820655/0	2	VITE	SCREW	VIS	SCHRAUBE	
26	22430311/0	1	MOLLA GUIDA	GUIDE SPRING	RESSORT DE GUIDE	FEDER FÜHRER	
27	22545137/0	2	PIASTRINA FISSAGGIO MANICO	PLATE FOR HANDLE FASTENING	PLAQUETTE FIXAGE MANCHERON	PLATTE HOLMBEFESTIGUNG	
28	12727783/0	1	VITE	SCREW	VIS	SCHRAUBE	
29	22551640/0	1	PIASTRINA	PLATE	PLAQUETTE	PLÄTTCHEN	
30	81000697/0	1	CAVO COMANDO TRAZIONE	CABLE, REAR DRIVE	CÂBLE, COMMANDE TRACTION	KABEL, ANTRIEB	
31	81000686/0	1	CAVO FRENO MOTORE	CABLE, THREAD MOTOR BRAKE	CABLE FREIN MOTEUR	KABEL, MOTORBREMSE	(B&S / HONDA TU 504 TR/TR-E)
-	81000687/0	1	CAVO FRENO MOTORE	CABLE, THREAD MOTOR BRAKE	CABLE FREIN MOTEUR	KABEL, MOTORBREMSE	(B&S TU 554 TR/TR-E)
-	81000688/0	1	CAVO FRENO MOTORE	CABLE, THREAD MOTOR BRAKE	CABLE FREIN MOTEUR	KABEL, MOTORBREMSE	(HONDA TU 554 TR)
-	81000689/0	1	CAVO FRENO MOTORE	CABLE, THREAD MOTOR BRAKE	CABLE FREIN MOTEUR	KABEL, MOTORBREMSE	(TECUMSEH TU 554 TR/TR-E)
33	12154510/0	1	DADO	NUT	ECROU	MUTTER	
34	81006618/1	1	MANICO SUPERIORE	HANDLE, UPPER PART	MANCHERON SUPÉRIEURE	HOLM, OBERTEIL	
35	81003298/1	1	LEVA FRENO MOTORE	LEVER, MOTOR BRAKE	LEVIER FREIN MOTEUR	HEBEL, MOTORBREMSE	
36	81003297/1	1	LEVA TRAZIONE	DRIVING LEVER	LEVIER TRACTION	ANTRIEBHEBEL	
38	22192001/0	1	FASCETTA ANCORAGGIO	ANCHOR CLAMP	COLLIER ANCRAGE	BOWDENZUGHALTER	
39	12728691/0	1	VITE	SCREW	VIS	SCHRAUBE	
40	81008658/1	1	DOTAZIONE SUPPORTI	OUTFIT, SUPPORTS	DOTATION SUPPORT	SATZ, HALTER	
41	22820055/0	1	TAPPO	CAP	BOUCHON	GUMMISTOPFEN	(TU 554 TR/TU 554 TR-E)
42	12604899/0	1	FISSATORE A CORONA	CROWN FASTENER	FIXATEUR A COURONNE	KRONESCHEIBE	(TU 554 TR/TU 554 TR-E)

## VARIANTE MULCHING - MULCHING MODIFICATION - MODIFICATION MULCHING - ÄNDERUNGEN MULCHING

Pos.	Code	Q.ty	Descrizione	Description	Description	Beschreibung	Remarks
45	22140231/0	1	DEFLETTORE	DEFLECTOR	DEFLECTEUR	DEFLEKTOR	(TU 504 TR/TU 504 TR-E)
-	22140232/0	1	DEFLETTORE	DEFLECTOR	DEFLECTEUR	DEFLEKTOR	(TU 554 TR/TU 554 TR-E)

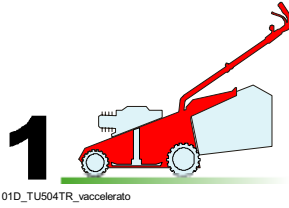
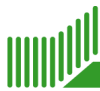


01D\_TU504TR\_vmanico

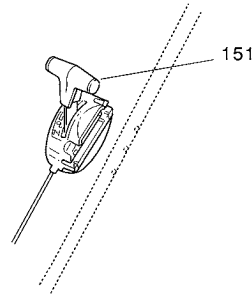


## VARIANTE MANICO - HANDLE MODIFICATION - MODIFICATION POIGNEE - ÄNDERUNGEN GRIFFENSTEEL

Pos.	Code	Q.ty	Descrizione	Description	Description	Beshreibung	Remarks
51	81006641/0	1	MANICO INFERIORE	HANDLE, LOWER PART	MANCHERON INFERIEURE	HOLM, UNTERTEIL	
61	81006597/0	1	MANICO SUPERIORE	HANDLE, UPPER PART	MANCHERON SUPERIEURE	HOLM, OBERTEIL	
62	12154510/0	1	DADO	NUT	ECROU	MUTTER	
63	81000683/0	1	CAVO FRENO MOTORE	CABLE, THREAD MOTOR BRAKE	CABLE FREIN MOTEUR	KABEL, MOTORBREMSE	
64	81000695/0	1	CAVO COMANDO TRAZIONE	CABLE, REAR DRIVE	CÂBLE, COMMANDE TRACTION	KABEL, ANTRIEB	
65	22551640/0	1	PIASTRINA	PLATE	PLAQUETTE	PLÄTTCHEN	
66	12727783/0	1	VITE	SCREW	VIS	SCHRAUBE	
67	12645710/0	1	SPINA	PIN	GOUPILLE	STIFT	
68	22321700/0	1	LEVA FRENO MOTORE	LEVER, MOTOR BRAKE	LEVIER FREIN MOTEUR	HEBEL, MOTORBREMSE	
69	81003305/0	1	LEVA TRAZIONE	DRIVING LEVER	LEVIER TRACTION	ANTRIEBHEBEL	
70	22291057/0	1	IMPUGNATURA MANICO	HANDGRIP	POIGNÉE	HANDGRIFF	
71	12521350/0	2	ROSETTA	WASHER	RONDELLE	SCHEIBE	
72	12760515/0	2	VITE	SCREW	VIS	SCHRAUBE	
73	22551635/0	2	PIASTRINA FISSAGGIO MANICO	PLATE FOR HANDLE FASTENING	PLAQUETTE FIXAGE MANCHERON	PLATTE HOLMBEFESTIGUNG	
74	12820655/0	2	VITE	SCREW	VIS	SCHRAUBE	
75	12521350/0	4	ROSETTA	WASHER	RONDELLE	SCHEIBE	
76	22399810/0	4	MANOPOLINA	KNOB	POIGNÉE	GRIFF	
77	12361005/0	4	DADO	NUT	ECROU	MUTTER	
78	12820655/0	2	VITE	SCREW	VIS	SCHRAUBE	
79	22430311/0	1	MOLLA GUIDA	GUIDE SPRING	RESSORT DE GUIDE	FEDER FÜHRER	
80	22545137/0	2	PIASTRINA FISSAGGIO MANICO	PLATE FOR HANDLE FASTENING	PLAQUETTE FIXAGE MANCHERON	PLATTE HOLMBEFESTIGUNG	

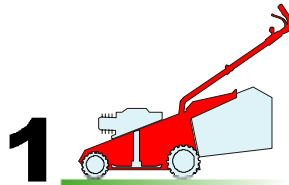


01D\_TU504TR\_vaccelerato

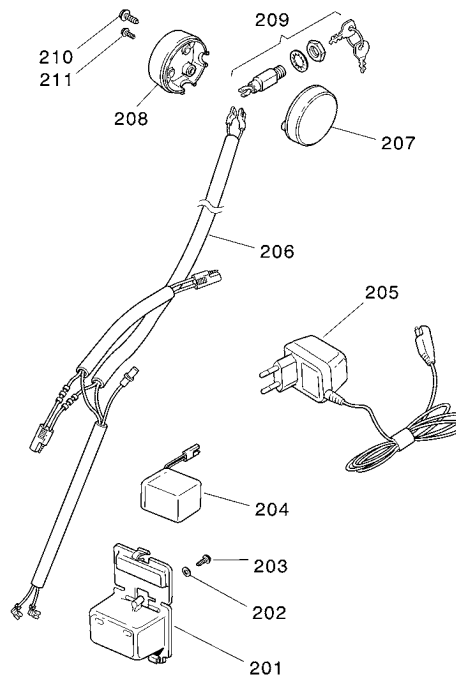


## VARIANTE ACCELERATORE - THROTTLE MODIFICATION - MODIFICATION COMMANDE D'ACCELERATION - ÄNDERUNGEN AUF GASHEBEL

Pos.	Code	Q.ty	Descrizione	Description	Description	Beschreibung	Remarks
151	81007128/0	1	CAVO ACCELERATORE	CABLE, TROTTLE	CABLE, ACCELERATEUR	KABE, BESCHLEUNIGER	



01D\_TU504TR\_avveletrico

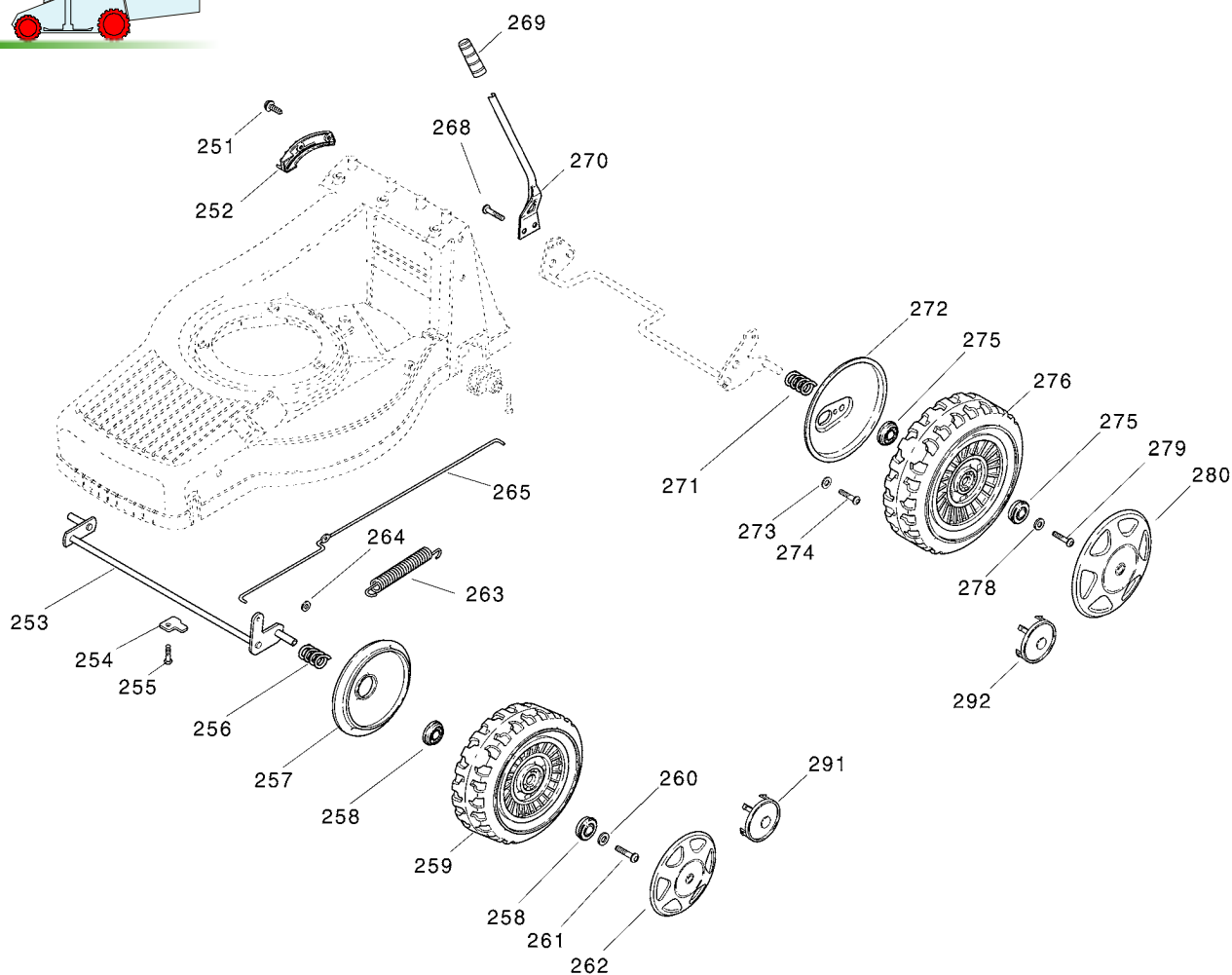
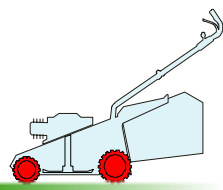


## VARIANTI PER AVVIAMENTO ELETTRICO - PARTS FOR ELECTIC START - COMPOSANTS POUR DÉMARRAGE ÉLECTRIQUE - ELEKTROSTART BESTANDTEILE

Pos.	Code	Q.ty	Descrizione	Description	Description	Beschreibung	Remarks
201	22109533/0	1	CONTENITORE BATTERIA	BATTERY BOX	CONTENEUR DE BATTERIE	BATTERIE BEHALTER	
202	12523040/0	1	ROSETTA	WASHER	RONDELLE	SCHEIBE	
203	12728691/0	1	VITE	SCREW	VIS	SCHRAUBE	
204	18120052/0	1	BATTERIA	BATTERY	BATTERIE	BATTERIE	
205	18204120/0	1	CARICA BATTERIA	BATTERY CHARGER	CHARGEUR DE BATTERIE	LADGERÄT	
-	18204121/0	1	CARICA BATTERIA	BATTERY CHARGER	CHARGEUR DE BATTERIE	LADGERÄT	(UK)
206	18204195/0	1	CAVO AVVIAMENTO	CABLE, START	CABLE DÉMARRAGE	KABEL, START	
207	22722801/0	1	PROTEZIONE SX	L PROTECTION	PROTECTION G	LINKE SCHUTZ	
208	22722800/0	1	PROTEZIONE DX	R PROTECTION	PROTECTION D	RECHTE SCHUTZ	
209	18450050/0	1	INTERRUTTORE	SWITCH	INTERRUPTEUR	SCHALTER	
210	12728702/0	2	VITE	SCREW	VIS	SCHRAUBE	
211	12728691/0	1	VITE	SCREW	VIS	SCHRAUBE	

2

02D\_063

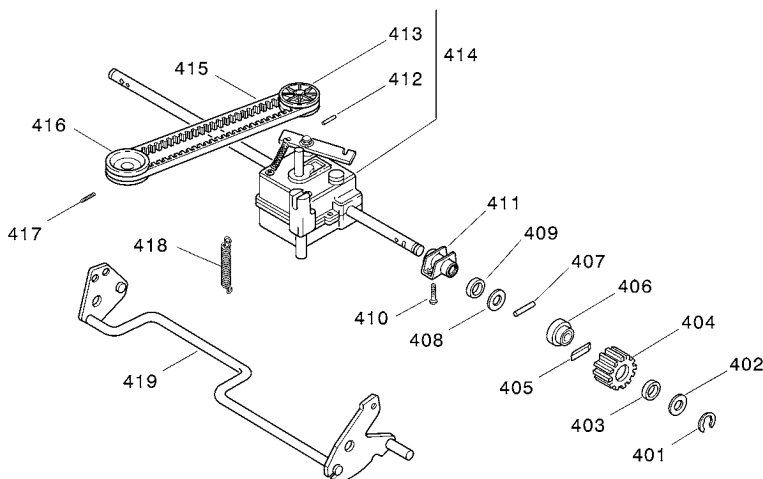
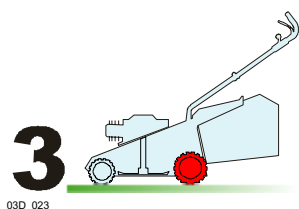


Pos.	Code	Q.ty	Descrizione	Description	Description	Beschreibung	Remarks
251	12728300/0	2	VITE	SCREW	VIS	SCHRAUBE	
252	22735563/0	1	SETTORE DI REGOLAZIONE	SECTOR, HEIGHT ADJUSTMENT	SECTEUR REGLAGE	SEKTOR, HÖHEVERSTELLUNG	
253	81002821/0	1	ASSE RUOTE ANTERIORE	AXLE, FRONT WHEELS	AXE ROUES AVANT	ACHSE, VORDERRAD	(TU 504 TR/TU 504 TR-E)
-	81002825/0	1	ASSE RUOTE ANTERIORE	AXLE, FRONT WHEELS	AXE ROUES AVANT	ACHSE, VORDERRAD	(TU 554 TR/TU 554 TR-E)
254	22545160/0	2	PIASTRINA	PLATE	PLAQUETTE	PLÄTTCHEN	
255	12735664/0	2	VITE	SCREW	VIS	SCHRAUBE	
256	22430210/0	2	MOLLA	SPRING	RESSORT	FEDER	
257	22600094/0	2	PROTEZIONE	PROTECTION	PROTECTION	SCHUTZ	
258	22122200/0	4	CUSCINETTO	BEARING	COUSSINET	LAGER	
259	81007351/0	2	RUOTA Ø 170	WHEEL Ø 170	ROUE Ø 170	RAD. Ø 170	
260	12521460/0	2	ROSETTA	WASHER	RONDELLE	SCHIBE	
261	12735662/0	2	VITE	SCREW	VIS	SCHRAUBE	
262	22110310/0	2	COPRIMOZZO GIALLO	HUB CAP YELLOW	COUVRE-MOYEU JAUNE	RADKAPPE GELBE	
-	22110312/0	2	COPRIMOZZO GRIGIO	HUB CAP GREY	COUVRE-MOYEU GRIS	RADKAPPE GRAU	
263	22446181/0	1	MOLLA	SPRING	RESSORT	FEDER	
264	12604898/0	2	FISSATORE A CORONA	CROWN FASTENER	FIXATEUR A COURONNE	KRONESCHIBE	
265	22033322/0	1	ASTA COMANDO REGOL. ALTEZZA	ROD, HEIGHT ADJUSTMENT CONTROL	TIGE COMMANDE REGLAGE HAUTEUR	STANGE, HÖHEVERSTELLUNG	(TU 504 TR/TU 504 TR-E)
-	22033323/0	1	ASTA COMANDO REGOL. ALTEZZA	ROD, HEIGHT ADJUSTMENT CONTROL	TIGE COMMANDE REGLAGE HAUTEUR	STANGE, HÖHEVERSTELLUNG	(TU 554 TR/TU 554 TR-E)
268	12735661/0	2	VITE	SCREW	VIS	SCHRAUBE	



## GLOBAL GARDEN PRODUCTS

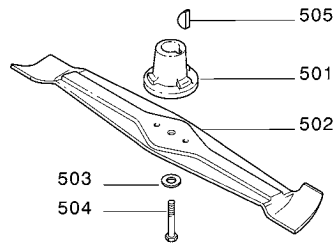
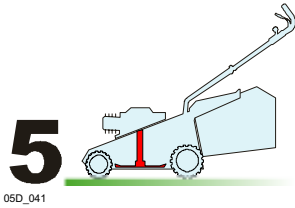
Pos.	Code	Q.ty	Descrizione	Description	Description	Beschreibung	Remarks
269	22399808/0	1	MANOPOLINA	KNOB	POIGNÉE	GRIFF	
270	22321515/0	1	LEVA REGOLAZIONE ALTEZZA	LEVER, HEIGHT ADJUSTMENT	LEVIER REGLAGE HAUTEUR	HEBEL, HÖNEVERSTELLUNG	
271	22430215/0	2	MOLLA	SPRING	RESSORT	FEDER	
272	22600121/0	2	PROT. RUOTE	PROTECTION, WHEEL	PROTECTION ROUE	SCHÜTZ, RÄDER	
273	12523040/0	2	ROSETTA	WASHER	RONDELLE	SCHEIBE	
274	12735661/0	2	VITE	SCREW	VIS	SCHRAUBE	
275	22122201/0	4	CUSCINETTO	BEARING	COUSSINET	LAGER	(TU 504 TR/TU 504 TR-E)
-	19216038/0	4	CUSCINETTO	BEARING	COUSSINET	LAGER	(TU 554 TR/TU 554 TR-E)
276	81007361/0	2	RUOTA Ø 190	WHEEL Ø 190	ROUE Ø190	RAD Ø 190	(TU 504 TR/TU 504 TR-E)
-	81007362/0	2	RUOTA Ø 215	WHEEL Ø 215	ROUE Ø 215	RAD. Ø 215	(TU 554 TR/TU 554 TR-E)
278	12521460/0	2	ROSETTA	WASHER	RONDELLE	SCHEIBE	
279	12735662/0	2	VITE	SCREW	VIS	SCHRAUBE	
280	22110345/0	2	COPRIMOZZO GIALLO	HUB CAP YELLOW	COUVRE-MOYEU JAUNE	RADKAPPE GELBE	(TU 504 TR/TU 504 TR-E)
-	22110346/0	2	COPRIMOZZO GRIGIO	HUB CAP GREY	COUVRE-MOYEU GRIS	RADKAPPE GRAU	(TU 504 TR/TU 504 TR-E)
-	22110388/0	2	COPRIMOZZO GIALLO	HUB CAP YELLOW	COUVRE-MOYEU JAUNE	RADKAPPE GELBE	(TU 554 TR/TU 554 TR-E)
-	22110389/0	2	COPRIMOZZO GRIGIO	HUB CAP GREY	COUVRE-MOYEU GRIS	RADKAPPE GRAU	(TU 554 TR/TU 554 TR-E)
291	22110383/0	2	COPRIMOZZO GRIGIO	HUB CAP GREY	COUVRE-MOYEU GRIS	RADKAPPE GRAU	
292	22110384/0	2	COPRIMOZZO GRIGIO	HUB CAP GREY	COUVRE-MOYEU GRIS	RADKAPPE GRAU	



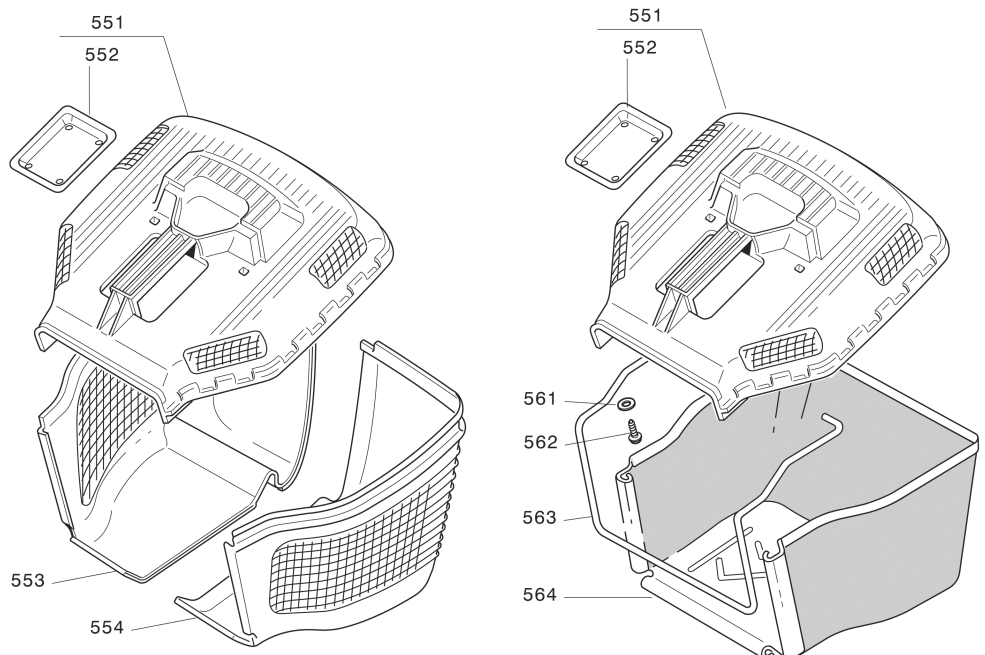
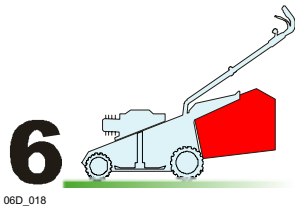
Pos.	Code	Q.ty	Descrizione	Description	Description	Beschreibung	Remarks
401	12000957/0	2	ANELLO BENZING	BENZING	ANNEAU BENZING	BENZING	
402	12520032/0	2	ROSETTA	WASHER	RONDELLE	SCHEIBE	
403	22160520/0	2	DISCO PARAPOLVERE	DUST COVER	PROTEGE-POUSSIÈRE	STAUBSCHUTTSCHIEBE	
404	22570125/0	2	PIGNONE	PINION	PIGNON	RITZEL	
405	22076645/0	2	CHIAVE	KEY	CLEF	SCHLÜSSEL	
406	22170630/0	2	DISTANZIALE	SPACER	ENTRETOISE	DISTANZRING	
407	22753002/0	2	SPINA	PIN	GOUPILLE	STIFT	
408	12520032/0	2	ROSETTA	WASHER	RONDELLE	SCHEIBE	
409	19035152/0	2	ANELLO OR	OR RING	BAGUE OR	RING OR	
410	12735664/0	4	VITE	SCREW	VIS	SCHRAUBE	
411	22785153/0	2	SUPPORTO GRUPPO TRAZIONE	SUPPORT, GEAR BOX	SUPPORT GR. TRACTION	HALTER, ANTRIEB	
412	12620310/0	1	SPINA	PIN	GOUPILLE	STIFT	
413	22601913/0	1	PULEGGIA	PULLEY	POULIE	RIEMENSCHIEBE	
414	81003085/0	1	GRUPPO TRAZIONE	GEAR BOX	GROUPE TRACTION	ANTRIEB	
415	35063175/0	1	CINGHIA	BELT	COURROIRE	RIEMEN	(TU 504 TR/TU 504 TR-E)
-	35064383/0	1	CINGHIA	BELT	COURROIRE	RIEMEN	(TU 554 TR/TU 554 TR-E)
416	22601918/0	1	PULEGGIA	PULLEY	POULIE	RIEMENSCHIEBE	
417	12714312/0	1	GRANO	DOWEL	GRAIN	STIFT	
418	22450434/0	1	MOLLA	SPRING	RESSORT	FEDER	

## GLOBAL GARDEN PRODUCTS

Pos.	Code	Q.ty	Descrizione	Description	Description	Beschreibung	Remarks
419	81002823/0	1	ASSE RUOTE POSTERIORE	AXLE, REAR WHEELS	AXE ROUES ARRIERE	ACHSE, HINTERRAD	



Pos.	Code	Q.ty	Descrizione	Description	Description	Beschreibung	Remarks
501	22465618/0	1	MOZZO	HUB	MOYEU	HALTER	
502	81004143/0	1	COLTELLO ALETTATO	BLADE WINGED	LAME AILETTÉE	MESSER FLÜGEL	(48 cm)
-	81004133/0	1	COLTELLO ALETTATO	BLADE WINGED	LAME AILETTÉE	MESSER FLÜGEL	(53 cm)
503	12530140/0	1	ROSETTA	WASHER	RONDELLE	SCHEIBE	
504	12735698/0	1	VITE	SCREW	VIS	SCHRAUBE	
505	12139100/0	1	LINGUETTA	FEATHER	CLAVETTE	KEIL	



Pos.	Code	Q.ty	Descrizione	Description	Description	Beschreibung	Remarks
551	22486095/0	1	SACCO, PARTE SUP	GRASS-BOX, UPPER PART	SAC, PARTIE SUPERIEURE	KORB, OBERTEIL	
552	22486098/0	1	PIASTRINA	PLATE	PLAQUETTE	PLÄTTCHEN	
553	22486099/0	1	SACCO PARTE INF	GRASS-BOX, LOWER PART	SAC, PARTIE INFERIEURE	KORB, UNTERTEIL	DX
554	22486100/0	1	SACCO PARTE INF	GRASS-BOX, LOWER PART	SAC, PARTIE INFERIEURE	KORB, UNTERTEIL	SX
561	12521460/0	2	ROSETTA	WASHER	RONDELLE	SCHEIBE	
562	12728300/0	2	VITE	SCREW	VIS	SCHRAUBE	
563	22608528/0	1	RINFORZO INF	STIFFENING LOWER	RÉNFORCEMENT INF	VERSTÄRKUNG UNTERE	
564	81002235/0	1	SACCO, TELA	BOX, FABRIC	SAC, TOILE	SACK, TUCK	